

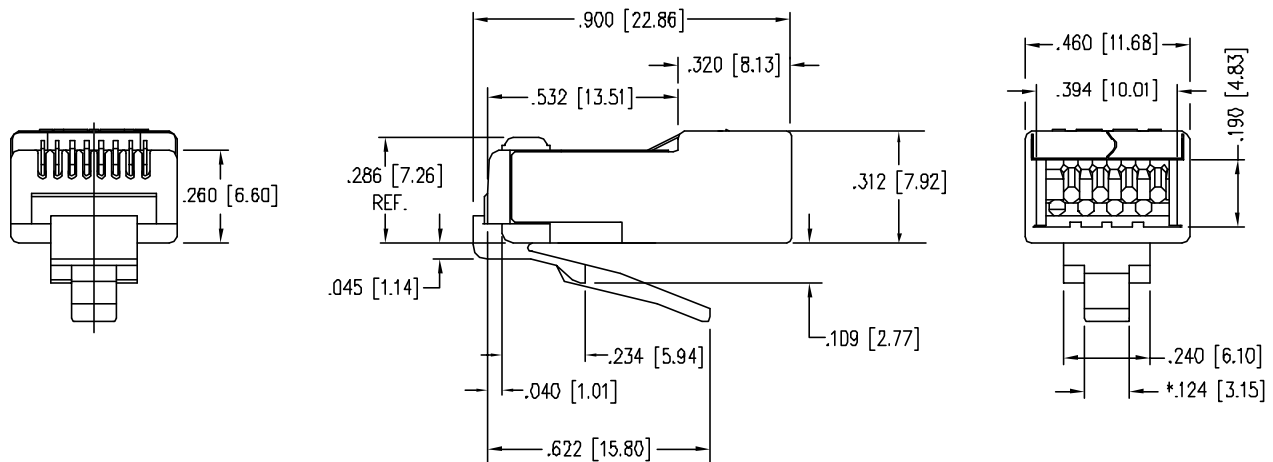
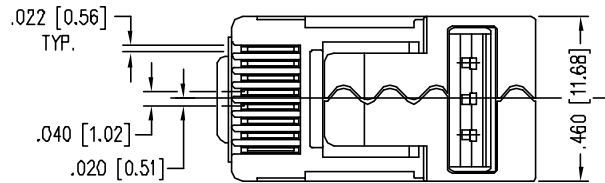
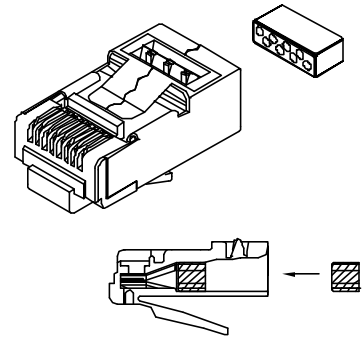
Sentinel® Connector Systems Inc.

1953 Stanton Street

York, Pa. 17404

PART NO.: 111S08080028-34

- * EIGHT CONDUCTOR MODULAR PLUG
- * FOR HIGH SPEED APPLICATION
- * FOR CONDUCTORS WITH AN O.D. RANGE OF .037/.042
- * USE FOR SOLID OR STRANDED CONDUCTORS
- * PRODUCT REQUIRES A CONDUCTIVE LOAD BAR
- * SHIELDED VERSION MODULAR PLUG



SPECIFICATIONS :

PERFORMANCE: EXCEEDS CATEGORY 5 EIA/TIA 2840, ANNEX B SPECIFICATION
PERFORMANCE TUNED TO CABLES MEETING CATEGORY 6 SPECIFICATIONS.

CONTACT MATERIAL: PHOSPHOR BRONZE - .012 THK
CONTACT PLATING: 50 MICRO-INCH : OTHER PLATING OPTIONS AVAILABLE
SELECTIVE 24 CARAT HARD GOLD PLATE IN CONTACT AREA
OVER 100 MICRO-INCH MINIMUM NICKEL PLATE
PER CURRENT SELECTIVE GOLD PLATING REQUIREMENTS.

PLUG MATERIAL: POLYCARBONATE

PLUG TOLERANCES AND DIMENSIONS: COMPLIES WITH F.C.C REQUIREMENTS
FLAME AUTO EXTINGUISH: 94-V0 - File# E188111

OPERATION TEMPERATURE: -40°C TO +70°C

INSERTION/EXTRACTION LIFE: 1000 CYCLES

CONTACT RESISTANCE: 10 MILLOHMS MAX.

CURRENT/VOLTAGE: 30 VAC/42 VDC AT 1.5 AMPS

