

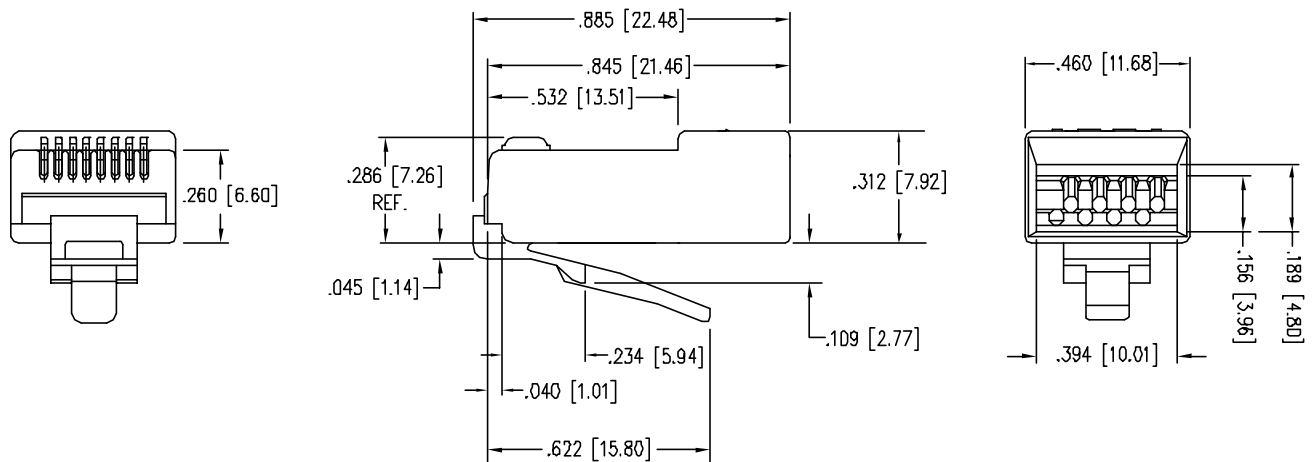
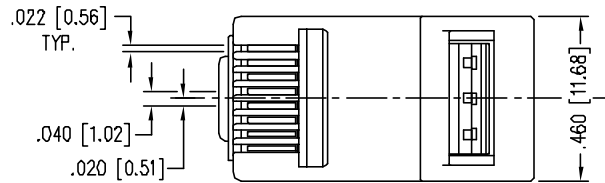
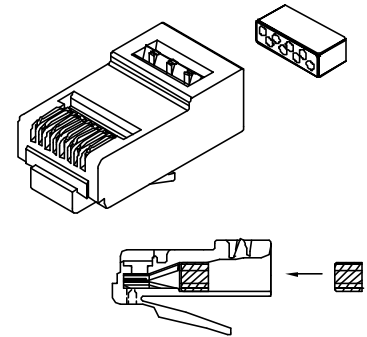
Sentinel Connector Systems Inc.

1953 Stanton Street

York, Pa. 17404

PART NO.: 111-0808LB16-34

- * EIGHT CONDUCTOR MODULAR PLUG
- * FOR HIGH SPEED APPLICATION
- * FOR CONDUCTORS WITH AN O.D. RANGE OF .037/.042
- * USES .012 CONTACT
- * PRODUCT REQUIRES A LOAD BAR



SPECIFICATIONS :

PERFORMANCE: EXCEEDS CATEGORY 5 EIA/TIA 2840, ANNEX B SPECIFICATION

CONTACT MATERIAL: PHOSPHOR BRONZE - .012 THK

CONTACT PLATING: 50 MICRO-INCH : OTHER PLATING OPTIONS AVAILABLE
 SELECTIVE 24 CARAT HARD GOLD PLATE IN CONTACT AREA
 OVER 100 MICRO-INCH MINIMUM NICKEL PLATE
 PER CURRENT SELECTIVE GOLD PLATING REQUIREMENTS.

PLUG MATERIAL: POLYCARBONATE

PLUG TOLERANCES AND DIMENSIONS: COMPLIES WITH F.C.C REQUIREMENTS

FLAME AUTO EXTINGUISH 94-V0 - File# E188111

OPERATION TEMPERATURE: -40°C TO +70°C

INSERTION/EXTRACTION LIFE: 1000 CYCLES

CONTACT RESISTANCE: 10 MILLOHMS MAX.

CURRENT/VOLTAGE: 30 VAC/42 VDC AT 1.5 AMPS

